

Tsurumi Check Valve Adapter Kit



Installation Instructions

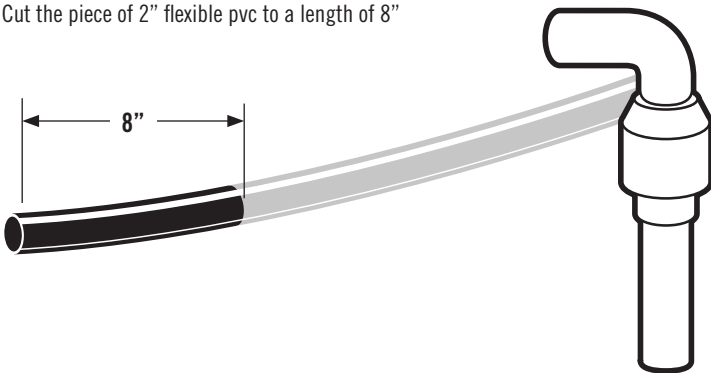
PACKAGE INCLUDES:

- (1) Piece of 2" flexible pvc pipe (13" long)
- (1) 2" mpt x slip fitting
- (1) End Cap/Slip Fitting
- (1) Instructions

**Dual Union Check Valve NOT INCLUDED*

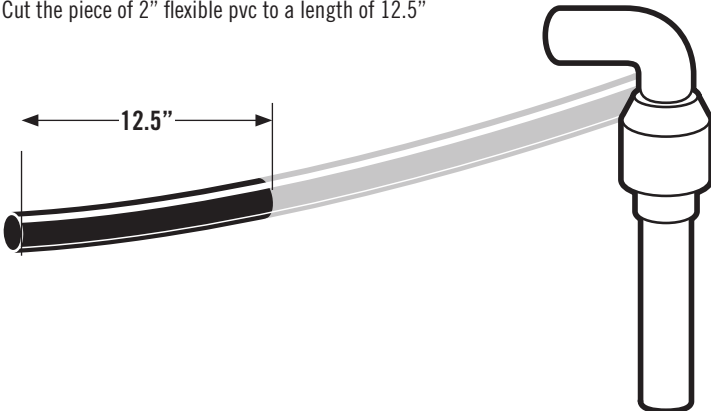
Installing into Classic Skimmer

Cut the piece of 2" flexible pvc to a length of 8"



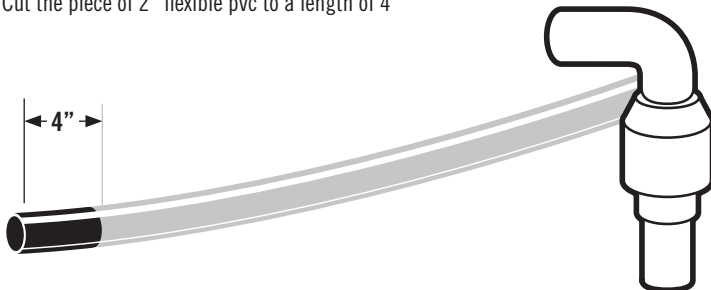
Installing into Grande Skimmer

Cut the piece of 2" flexible pvc to a length of 12.5"



Installing into MicroSnorkel™

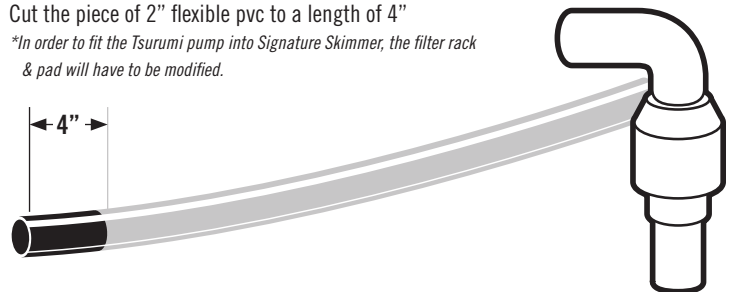
Cut the piece of 2" flexible pvc to a length of 4"



Installing into Signature Series™ Skimmer*

Cut the piece of 2" flexible pvc to a length of 4"

**In order to fit the Tsurumi pump into Signature Skimmer, the filter rack & pad will have to be modified.*

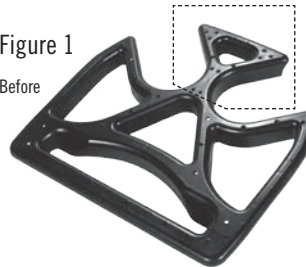


Modifying the Filter Rack & Pad

- 1) With a hack saw or something similar cut away the highlighted area and discard. (see fig. 1)
- 2) Since the filter rack had to be modified the filter mat will also have to be modified. With a pair of scissors cut away the part of the mat that is not needed. (see fig. 2)

Figure 1

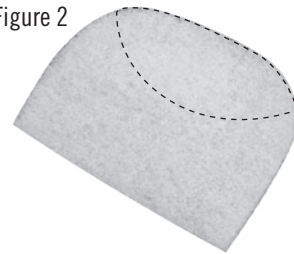
Before



After



Figure 2



Made in U.S.A. for
Aquascape, Inc.
St. Charles, IL 60174 • Brampton, ON, L6T 5V7
www.aquascapeinc.com