

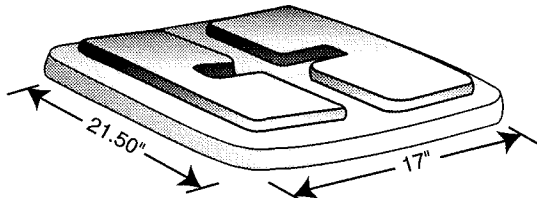


6 61051 00102 8

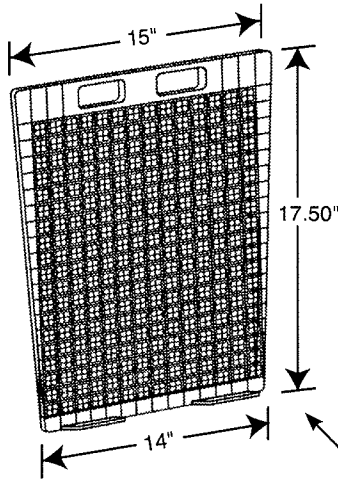
PONDSWEEP MANUFACTURING COMPANY

SK302P PondSweep® Skimmer

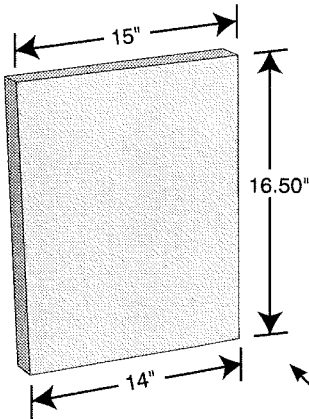
PS11910



PT10000
PLASTIC 302P LID



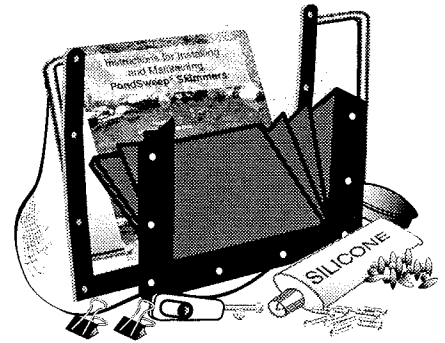
IM13000
TRAY302P



DT10000
MAT300

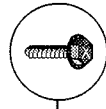
DISC #	P/N	DESCRIPTION	QTY.	
<input type="checkbox"/>	DC10300	VAULT302P	SK302P Vault	1
<input type="checkbox"/>	PT10000	302PLID	302P Lid	1
<input type="checkbox"/>	DT10000	MAT300	Filter Mat	1
<input type="checkbox"/>	IM13000	TRAY302P	302P Tray	1
<input type="checkbox"/>	PS10815	90822A330	#8 Hex Head Self Drilling Screws 1/2"	2
<input type="checkbox"/>	PS25500	PIPE302P	3/4" PVC Pipe	1
<input type="checkbox"/>	PS10820	GUTS302P	302P Guts Kit	1
<input type="checkbox"/>	PS40000	BOX-301P	SK301P Box*	1

*NOTE - Box Not Pictured



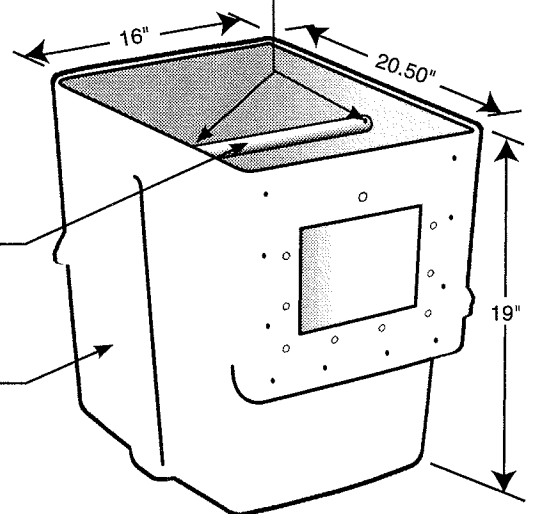
PS10820
SK302P GUTS KIT

PS10815
#8 Hex Head Self
Drilling Screws 1/2"
Factory Installed (QTY 2)



PS25500
14 7/8" - 15" 302P PIPE
Factory Installed

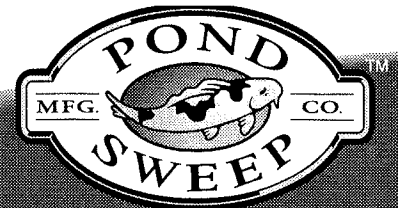
DC10300
SK302P VAULT



I pride myself on accuracy. If you find a mistake with my workmanship, call me at the number below & let me know so I can see it's rectified right away.

Inspected By _____

Date _____



All rights reserved.
May not be duplicated or transmitted without the
expressed written consent of PondSweep Mfg. Co.

6.1.1 • May, 2004