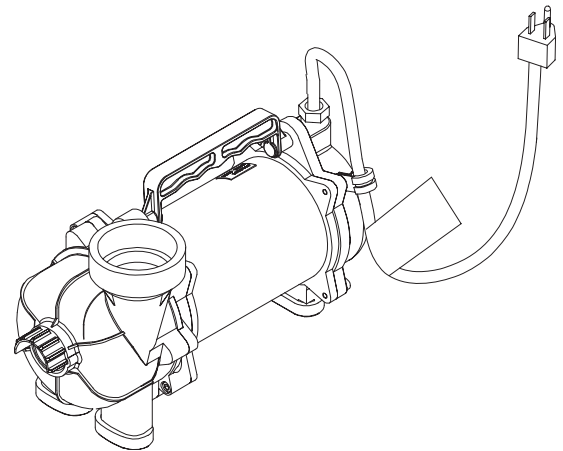


ADI Water Garden Pumps

DISCHARGE 2" NPT, Female, Vertical
LIQUID TEMPERATURE 104°F (40°C) Continuous
MOTOR FRAME 300 Series Stainless Steel
END BELLS 300 Series Stainless Steel
VOLUTE Nylon
FRONT HOUSING Nylon
REAR HOUSING..... Zytel
FEET Buna-N
HANDLE..... Nylon
IMPELLER: Design 8 Vanes, Vortex Non-Clog
 Material Nylon
SHAFT Stainless Steel
O-RINGS Buna-N
HARDWARE 300 Series Stainless Steel
SEAL: Design Double Mechanical, Oil Filled Reservoir
 Outboard **Material** Silicon Carbide/Silicon Carbide/Buna-N
 Inboard **Material** Carbon/Silicon Carbide/Buna-N
 Hardware - 300 Series Stainless
CORD ENTRY 20 ft. (6.1m) Cord with plug and
 Pressure Grommet for sealing and
 strain relief
FRONT BEARING..... Single Row, Ball, Pre-Lubricated
REAR BEARING..... Single Row, Ball, Pre-Lubricated
MOTOR: Design Air Filled
 Insulation..... Class B
SINGLE PHASE..... Permanent Split Capacitor (PSC)
 Includes thermal overload protection
 in motor



**Series: SFA1500, 1/6HP
60Hz, 3450RPM**

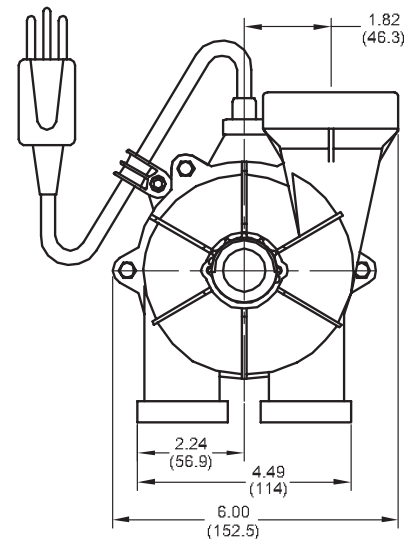
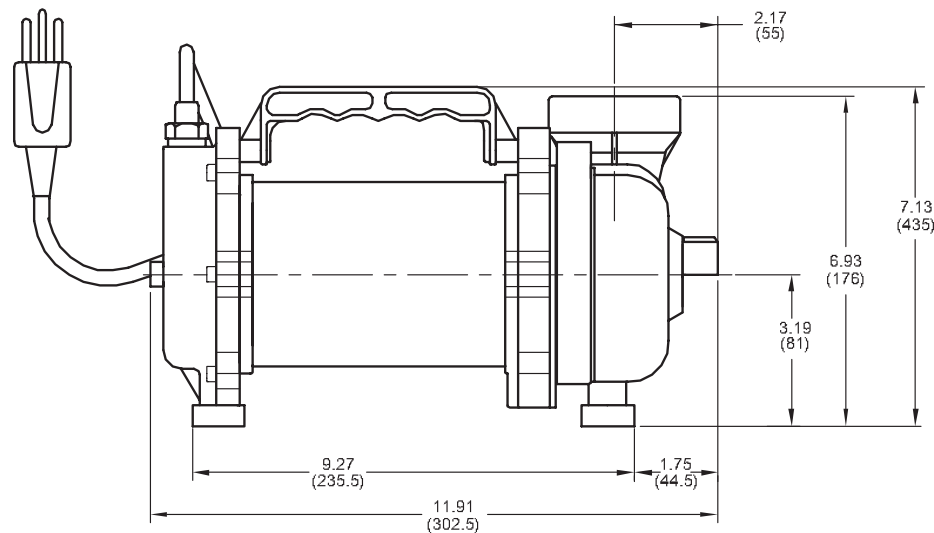


CSA 108
 UL 778
 LR16567

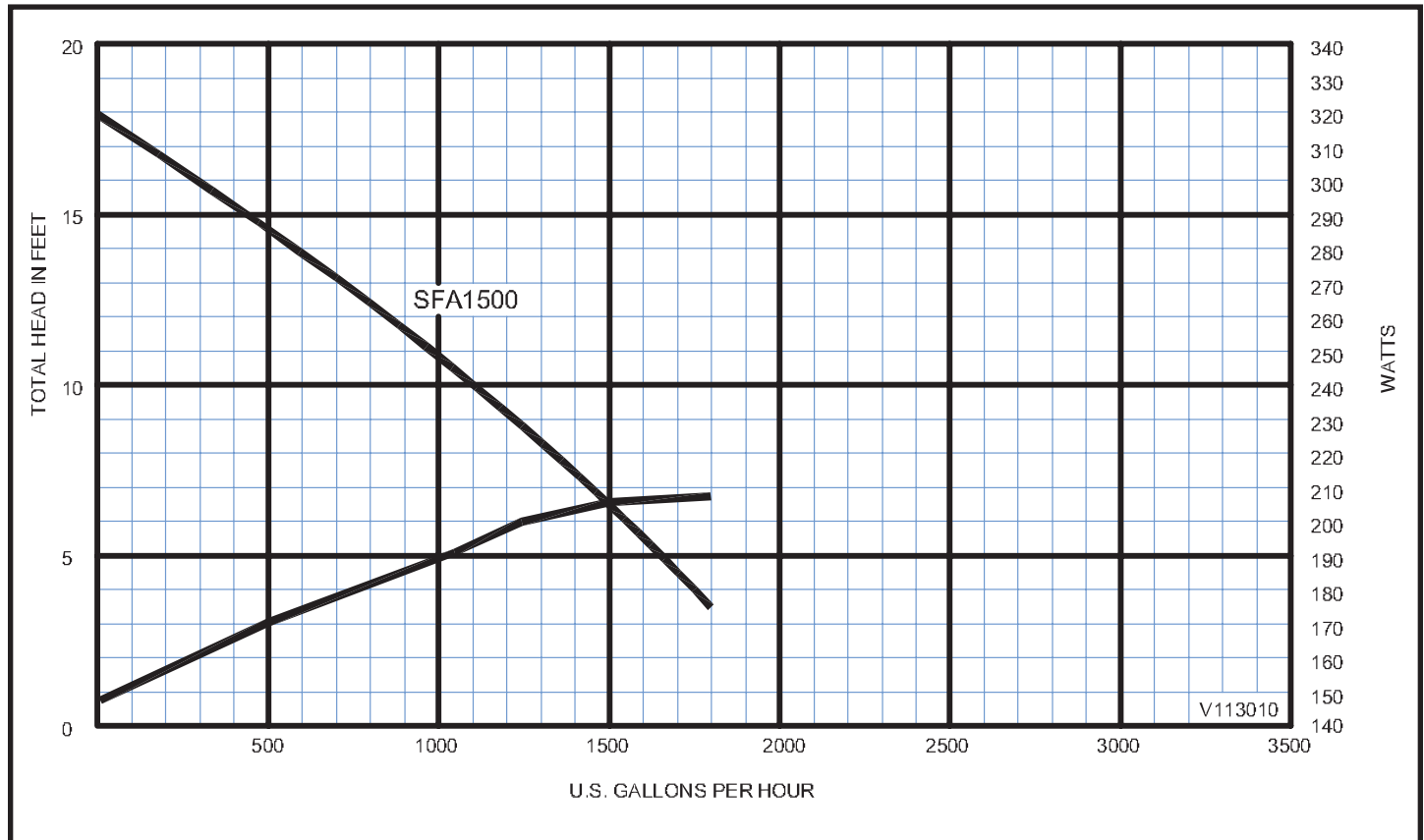
DESCRIPTION:

THESE PUMPS ARE SPECIFICALLY DESIGNED FOR USE IN DRAMATIC, DECORATIVE WATER DISPLAYS.

inches
(mm)



ADI Water Garden Pumps



MODEL NO	PART NO	HANDLE COLOR	HP	MAX. AMPS	WATTS @ 5Ft.	VOLT/PH	Hz	RPM (Nom)	CORD SIZE	CORD TYPE
SFA1500	113010	Red	1/6	2.0	205	115/1	60	3450	18/3	SJTOW

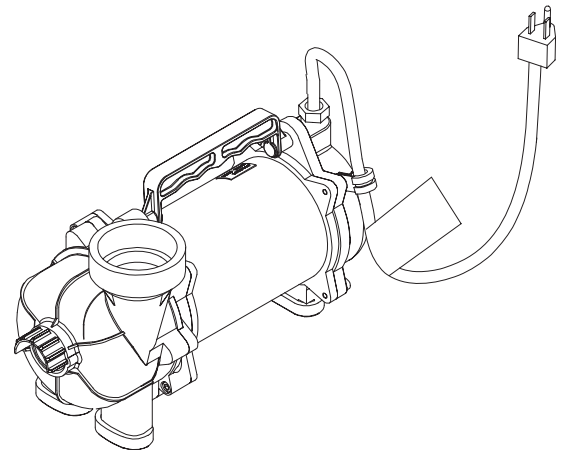
Testing is performed with water specific gravity of 1.0 @ 68°F (20°C), other fluids may vary performance

IMPORTANT !

- 1.) THESE PUMPS ARE UL LISTED FOR PUMPING WATER. **DO NOT USE TO PUMP FLAMMABLE LIQUIDS.**
- 2.) SPECIAL SUCTION CHAMBER KEEPS MOTOR 2/3 SUBMERGED AT ALL TIMES FOR COOL OPERATION.
- 3.) MODIFICATIONS MAY AFFECT "UL" LISTING.
- 4.) INSTALLATIONS SUCH AS DECORATIVE FOUNTAINS OR WATER FEATURES PROVIDED FOR VISUAL ENJOYMENT MUST BE INSTALLED IN ACCORDANCE WITH THE NATIONAL ELECTRIC CODE ANSI/NFPA 70 AND/OR THE AUTHORITY HAVING JURISDICTION. THIS PUMP IS NOT INTENDED FOR USE IN SWIMMING POOLS, RECREATIONAL WATER PARKS, OR INSTALLATIONS IN WHICH HUMAN CONTACT WITH PUMPED MEDIA IS A COMMON OCCURRENCE.

ADI Water Garden Pumps

DISCHARGE 2" NPT, Female, Vertical
LIQUID TEMPERATURE 104°F (40°C) Continuous
MOTOR FRAME 300 Series Stainless Steel
END BELLS 300 Series Stainless Steel
VOLUTE Nylon
FRONT HOUSING Nylon
REAR HOUSING..... Zytel
FEET Buna-N
HANDLE..... Nylon
IMPELLER: Design 8 Vanes, Vortex Non-Clog
 Material Nylon
SHAFT Stainless Steel
O-RINGS Buna-N
HARDWARE 300 Series Stainless Steel
SEAL: Design Double Mechanical, Oil Filled Reservoir
 Outboard **Material** Silicon Carbide/Silicon Carbide/Buna-N
 Inboard **Material** Carbon/Silicon Carbide/Buna-N
 Hardware - 300 Series Stainless
CORD ENTRY 20 ft. (6.1m) Cord with plug and
 Pressure Grommet for sealing and
 strain relief
FRONT BEARING..... Single Row, Ball, Pre-Lubricated
REAR BEARING..... Single Row, Ball, Pre-Lubricated
MOTOR: Design Air Filled
 Insulation..... Class B
SINGLE PHASE..... Permanent Split Capacitor (PSC)
 Includes thermal overload protection
 in motor



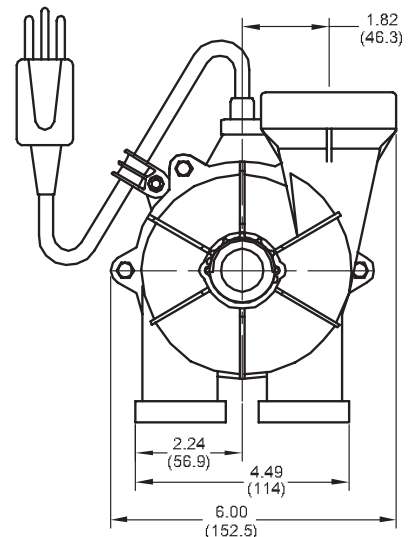
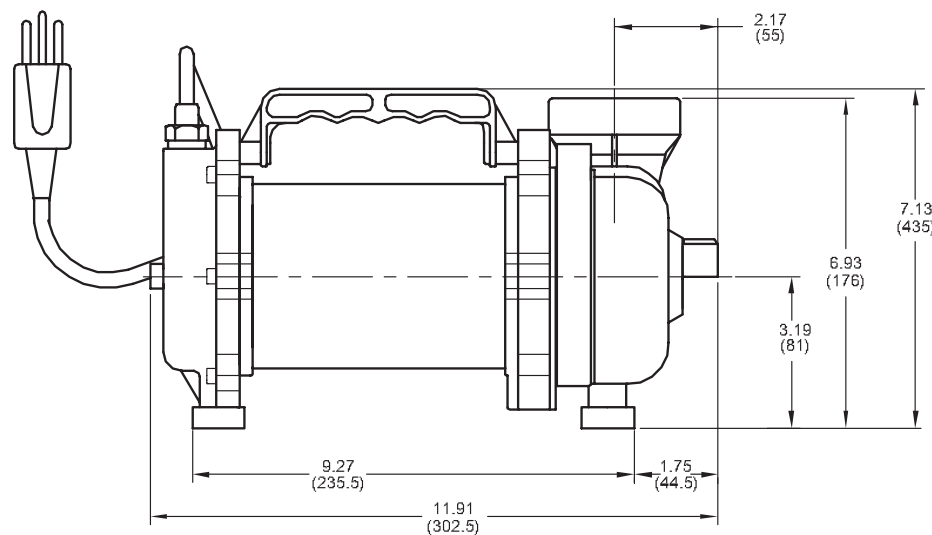
**Series: SFA3000, 1/5HP
 60Hz, 3450RPM**



CSA 108
 UL 778
 LR16567

DESCRIPTION:
 THESE PUMPS ARE SPECIFICALLY DESIGNED FOR
 USE IN DRAMATIC, DECORATIVE WATER DISPLAYS.

inches
(mm)

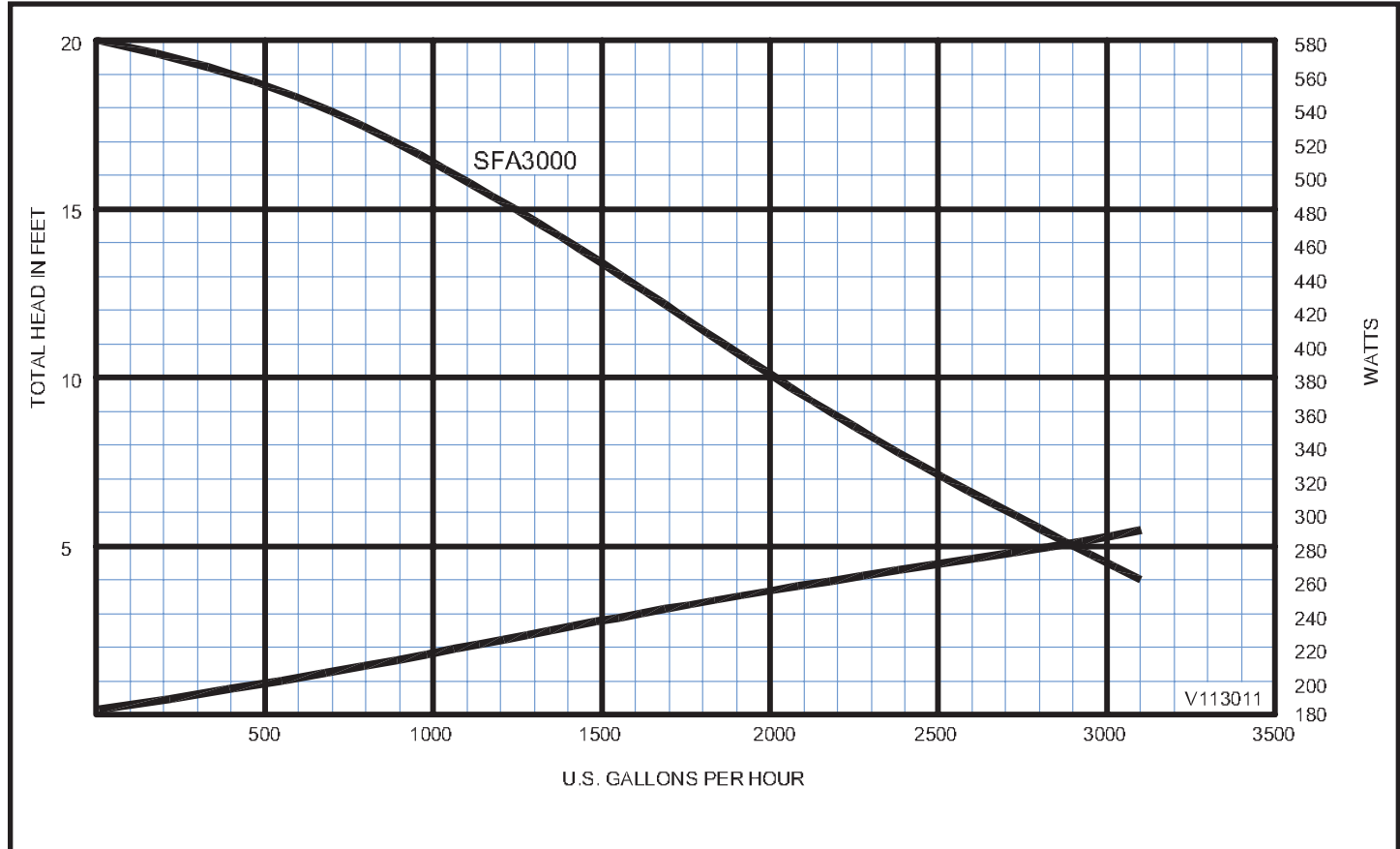


Series SFA3000

Submersible

AQUASCAPE DESIGNS, INC.

ADI Water Garden Pumps



MODEL NO	PART NO	HANDLE COLOR	HP	MAX. AMPS	WATTS @ 5ft.	VOLT/PH	Hz	RPM (Nom)	CORD SIZE	CORD TYPE
SFA3000	113011	Yellow	1/5	2.6	280	115/1	60	3450	18/3	SJTOW

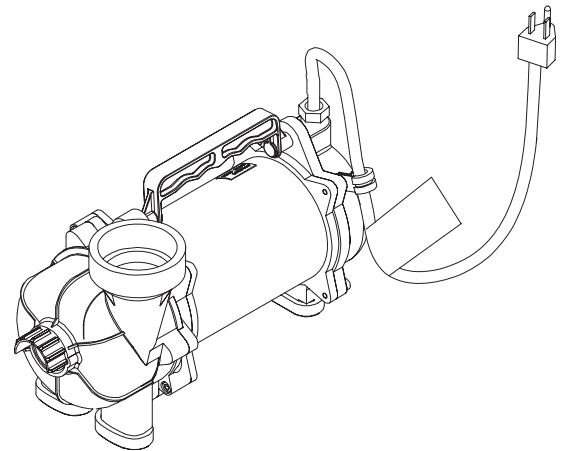
Testing is performed with water specific gravity of 1.0 @ 68°F (20°C), other fluids may vary performance

IMPORTANT !

- 1.) THESE PUMPS ARE UL LISTED FOR PUMPING WATER. **DO NOT USE TO PUMP FLAMMABLE LIQUIDS.**
- 2.) SPECIAL SUCTION CHAMBER KEEPS MOTOR 2/3 SUBMERGED AT ALL TIMES FOR COOL OPERATION.
- 3.) MODIFICATIONS MAY AFFECT "UL" LISTING.
- 4.) INSTALLATIONS SUCH AS DECORATIVE FOUNTAINS OR WATER FEATURES PROVIDED FOR VISUAL ENJOYMENT MUST BE INSTALLED IN ACCORDANCE WITH THE NATIONAL ELECTRIC CODE ANSI/NFPA 70 AND/OR THE AUTHORITY HAVING JURISDICTION. THIS PUMP IS NOT INTENDED FOR USE IN SWIMMING POOLS, RECREATIONAL WATER PARKS, OR INSTALLATIONS IN WHICH HUMAN CONTACT WITH PUMPED MEDIA IS A COMMON OCCURRENCE.

ADI Water Garden Pumps

DISCHARGE 2" NPT, Female, Vertical
LIQUID TEMPERATURE 104°F (40°C) Continuous
MOTOR FRAME 300 Series Stainless Steel
END BELLS 300 Series Stainless Steel
VOLUTE Nylon
FRONT HOUSING Nylon
REAR HOUSING..... Zytel
FEET Buna-N
HANDLE..... Nylon
IMPELLER: Design 8 Vanes, Vortex Non-Clog
 Material Nylon
SHAFT Stainless Steel
O-RINGS Buna-N
HARDWARE 300 Series Stainless Steel
SEAL: Design Double Mechanical, Oil Filled Reservoir
 Outboard **Material** Silicon Carbide/Silicon Carbide/Buna-N
 Inboard **Material** Carbon/Silicon Carbide/Buna-N
 Hardware - 300 Series Stainless
CORD ENTRY 20 ft. (6.1m) Cord with plug and
 Pressure Grommet for sealing and
 strain relief
FRONT BEARING..... Single Row, Ball, Pre-Lubricated
REAR BEARING..... Single Row, Ball, Pre-Lubricated
MOTOR: Design Air Filled
 Insulation..... Class B
SINGLE PHASE..... Permanent Split Capacitor (PSC)
 Includes thermal overload protection
 in motor



**Series: SFA4500, 1/4HP
60Hz, 3450RPM**

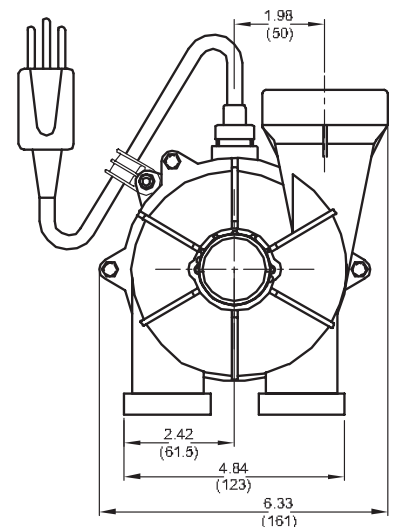
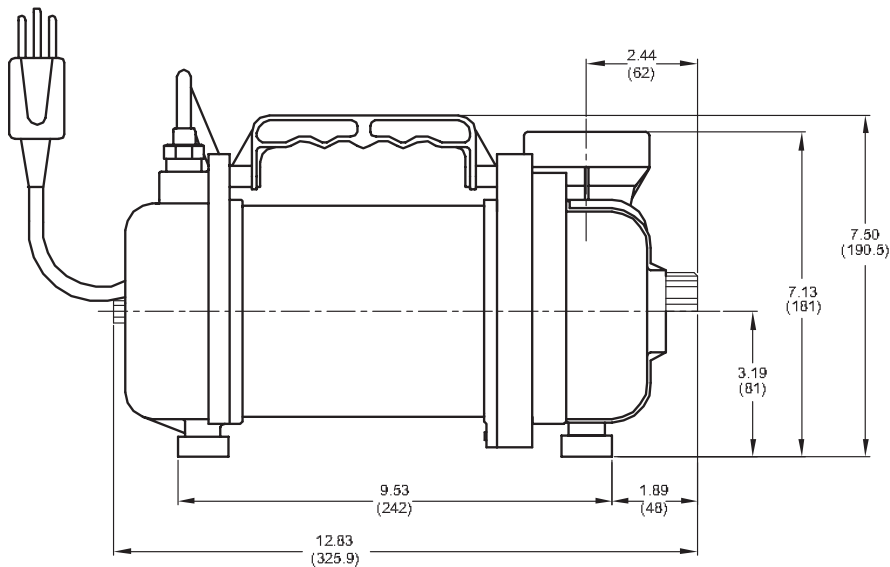


CSA 108
 UL 778
 LR16567

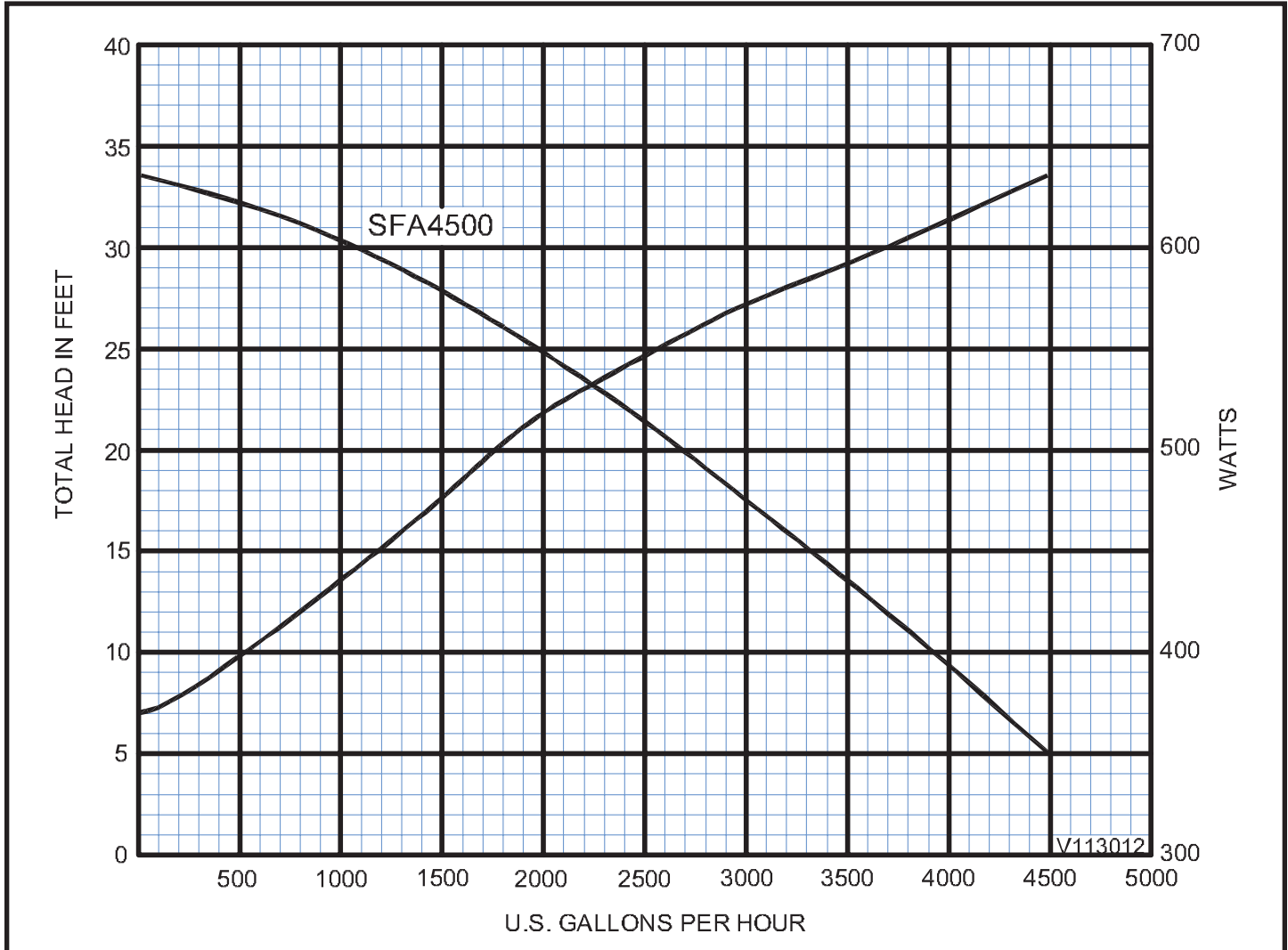
DESCRIPTION:

THESE PUMPS ARE SPECIFICALLY DESIGNED FOR USE IN DRAMATIC, DECORATIVE WATER DISPLAYS.

inches
(mm)



ADI Water Garden Pumps



MODEL NO	PART NO	HANDLE COLOR	HP	MAX. AMPS	WATTS @ 5Ft.	VOLT/PH	Hz	RPM (Nom)	CORD SIZE	CORD TYPE
SFA4500	113012	Blue	1/4	5.4	625	115/1	60	3450	16/3	SJTOW

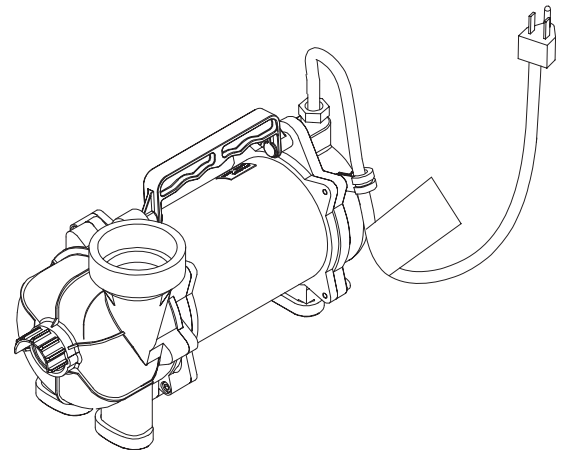
Testing is performed with water specific gravity of 1.0 @ 68°F (20°C), other fluids may vary performance

IMPORTANT !

- 1.) THESE PUMPS ARE UL LISTED FOR PUMPING WATER. **DO NOT USE TO PUMP FLAMMABLE LIQUIDS.**
- 2.) SPECIAL SUCTION CHAMBER KEEPS MOTOR 2/3 SUBMERGED AT ALL TIMES FOR COOL OPERATION.
- 3.) MODIFICATIONS MAY AFFECT "UL" LISTING.
- 4.) INSTALLATIONS SUCH AS DECORATIVE FOUNTAINS OR WATER FEATURES PROVIDED FOR VISUAL ENJOYMENT MUST BE INSTALLED IN ACCORDANCE WITH THE NATIONAL ELECTRIC CODE ANSI/NFPA 70 AND/OR THE AUTHORITY HAVING JURISDICTION. THIS PUMP IS NOT INTENDED FOR USE IN SWIMMING POOLS, RECREATIONAL WATER PARKS, OR INSTALLATIONS IN WHICH HUMAN CONTACT WITH PUMPED MEDIA IS A COMMON OCCURRENCE.

ADI Water Garden Pumps

DISCHARGE 2" NPT, Female, Vertical
LIQUID TEMPERATURE 104°F (40°C) Continuous
MOTOR FRAME 300 Series Stainless Steel
END BELLS 300 Series Stainless Steel
VOLUTE Nylon
FRONT HOUSING Nylon
REAR HOUSING..... Zytel
FEET Buna-N
HANDLE..... Nylon
IMPELLER: Design 7 Vanes, Vortex Non-Clog
 Material Nylon
SHAFT Stainless Steel
O-RINGS Buna-N
HARDWARE 300 Series Stainless Steel
SEAL: Design Double Mechanical, Oil Filled Reservoir
 Outboard **Material** Silicon Carbide/Silicon Carbide/Buna-N
 Inboard **Material** Carbon/Silicon Carbide/Buna-N
 Hardware - 300 Series Stainless
CORD ENTRY 20 ft. (6.1m) Cord with plug and
 Pressure Grommet for sealing and
 strain relief
FRONT BEARING..... Single Row, Ball, Pre-Lubricated
REAR BEARING..... Single Row, Ball, Pre-Lubricated
MOTOR: Design Air Filled
 Insulation..... Class B
SINGLE PHASE..... Permanent Split Capacitor (PSC)
 Includes thermal overload protection
 in motor



**Series: SFA7500, 1/2HP
60Hz, 3450RPM**

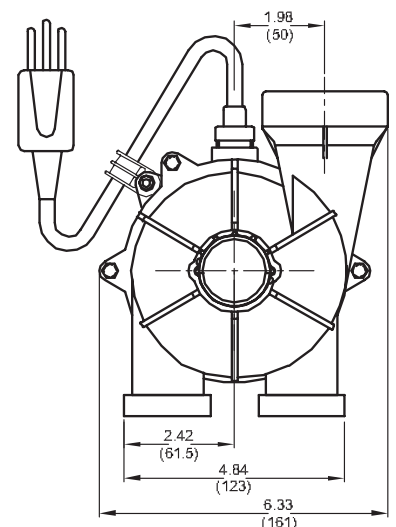
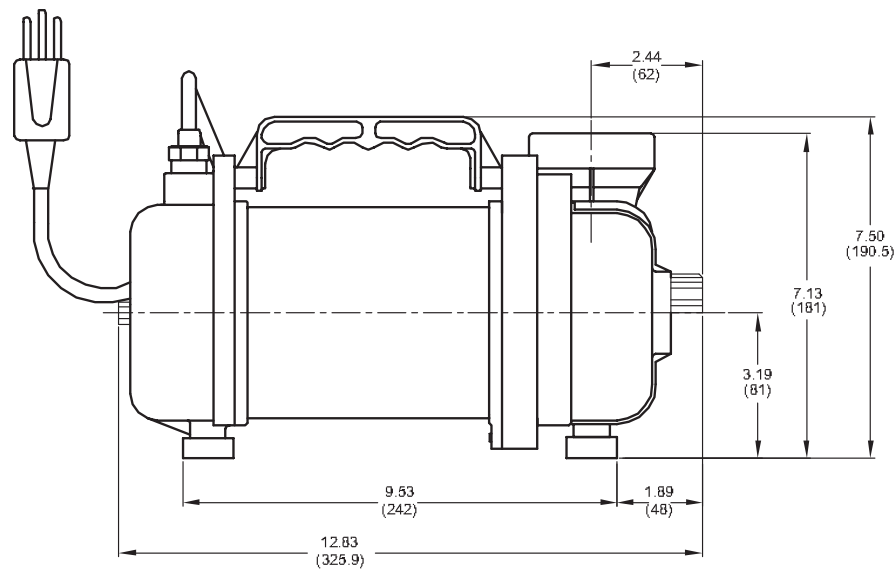


CSA 108
 UL 778
 LR16567

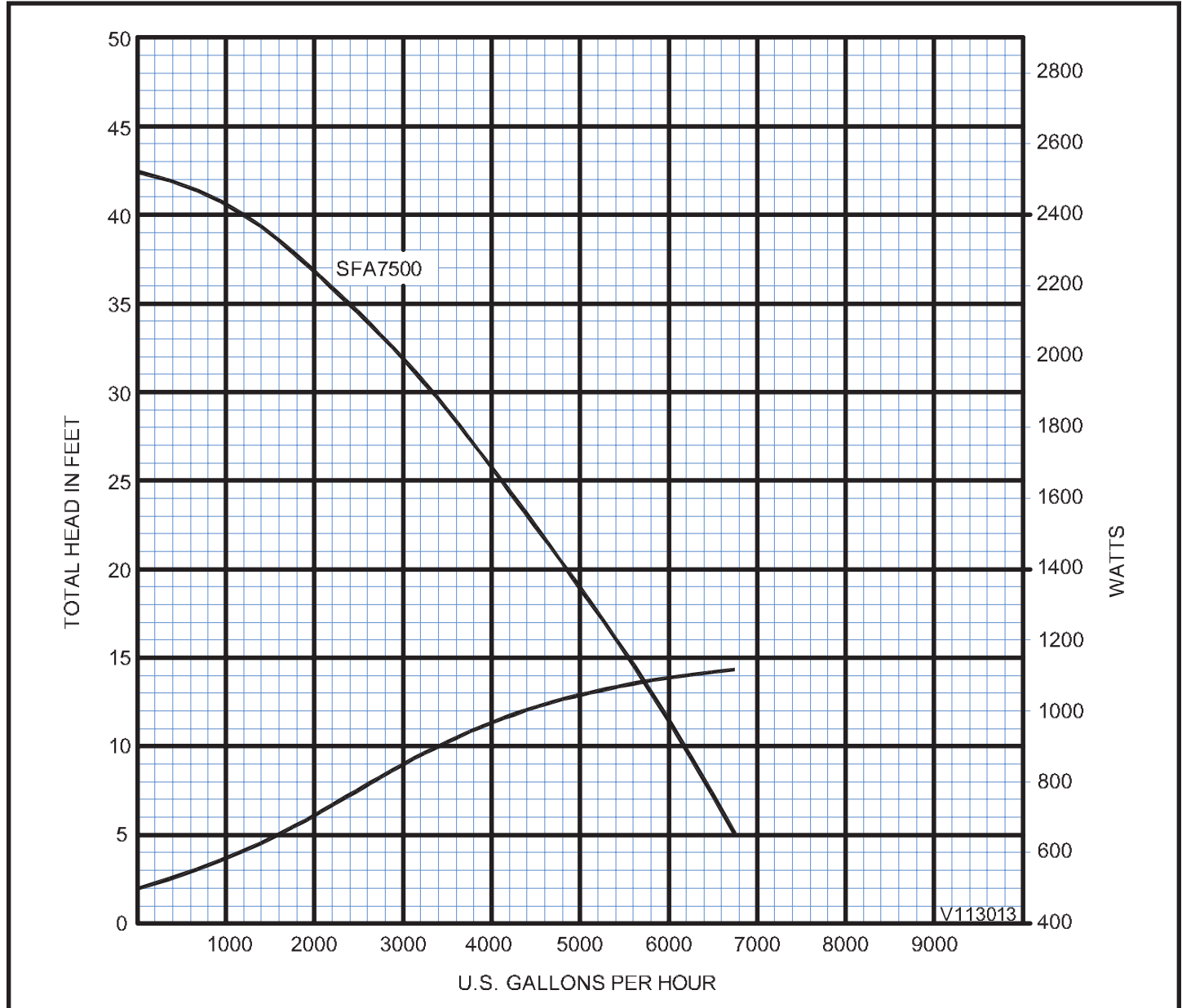
DESCRIPTION:

THESE PUMPS ARE SPECIFICALLY DESIGNED FOR USE IN DRAMATIC, DECORATIVE WATER DISPLAYS.

inches
(mm)



ADI Water Garden Pumps



MODEL NO	PART NO	HANDLE COLOR	HP	MAX. AMPS	WATTS @ 5Ft.	VOLT/PH	Hz	RPM (Nom)	CORD SIZE	CORD TYPE
SFA7500	113013	Green	1/2	10	1200	115/1	60	3450	14/3	SJTOW

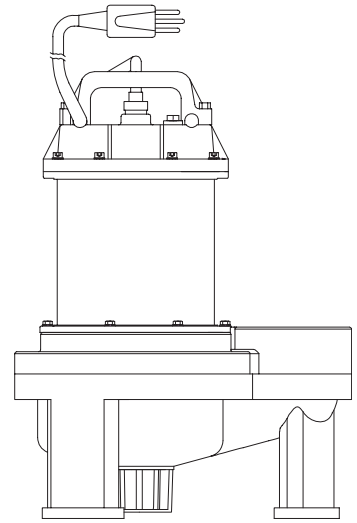
Testing is performed with water specific gravity of 1.0 @ 68°F (20°C), other fluids may vary performance

IMPORTANT !

- 1.) THESE PUMPS ARE UL LISTED FOR PUMPING WATER. **DO NOT USE TO PUMP FLAMMABLE LIQUIDS.**
- 2.) SPECIAL SUCTION CHAMBER KEEPS MOTOR 2/3 SUBMERGED AT ALL TIMES FOR COOL OPERATION.
- 3.) MODIFICATIONS MAY AFFECT "UL" LISTING.
- 4.) INSTALLATIONS SUCH AS DECORATIVE FOUNTAINS OR WATER FEATURES PROVIDED FOR VISUAL ENJOYMENT MUST BE INSTALLED IN ACCORDANCE WITH THE NATIONAL ELECTRIC CODE ANSI/NFPA 70 AND/OR THE AUTHORITY HAVING JURISDICTION. THIS PUMP IS NOT INTENDED FOR USE IN SWIMMING POOLS, RECREATIONAL WATER PARKS, OR INSTALLATIONS IN WHICH HUMAN CONTACT WITH PUMPED MEDIA IS A COMMON OCCURRENCE.

ADI Water Garden Pumps

DISCHARGE 2" NPT, Female, Vertical
LIQUID TEMPERATURE 104°F (40°C) Continuous
MOTOR FRAME 300 Series Stainless Steel
END BELLS 300 Series Stainless Steel
VOLUTE Nylon
FRONT HOUSING Nylon
REAR HOUSING..... Zytel
FEET Buna-N
HANDLE..... Nylon
IMPELLER:*Design* 2 Vanes, Semi-Open
 Material Nylon
SHAFT Stainless Steel
O-RINGS Buna-N
HARDWARE 300 Series Stainless Steel
SEAL: *Design* Double Mechanical, Oil Filled Reservoir
 Outboard *Material* Silicon Carbide/Silicon Carbide/Buna-N
 Inboard *Material* Carbon/Silicon Carbide/Buna-N
 Hardware - 300 Series Stainless
CORD ENTRY 20 ft. (6.1m) Cord with plug and
 Pressure Grommet for sealing and
 strain relief
FRONT BEARING..... Single Row, Ball, Pre-Lubricated
REAR BEARING..... Single Row, Ball, Pre-Lubricated
MOTOR: *Design* Air Filled
 Insulation..... Class B
SINGLE PHASE..... Permanent Split Capacitor (PSC)
 Includes thermal overload protection
 in motor



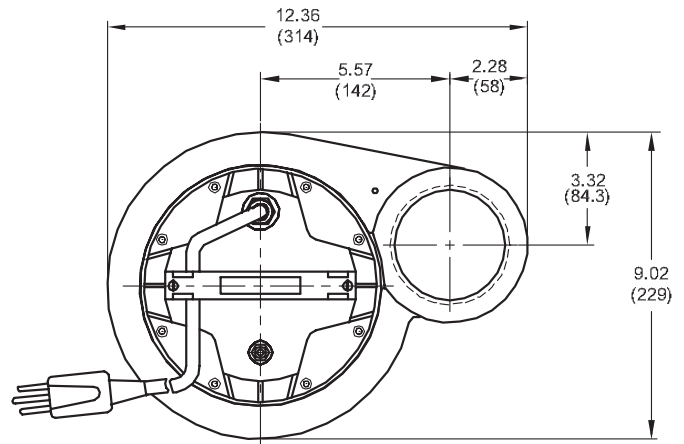
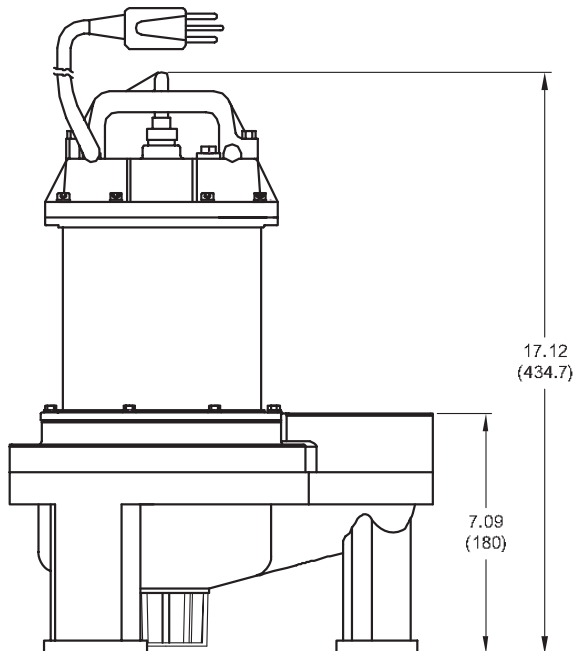
**Series: SFA10000, 1HP
60Hz, 3450RPM**



CSA 108
 UL 778
 LR16567

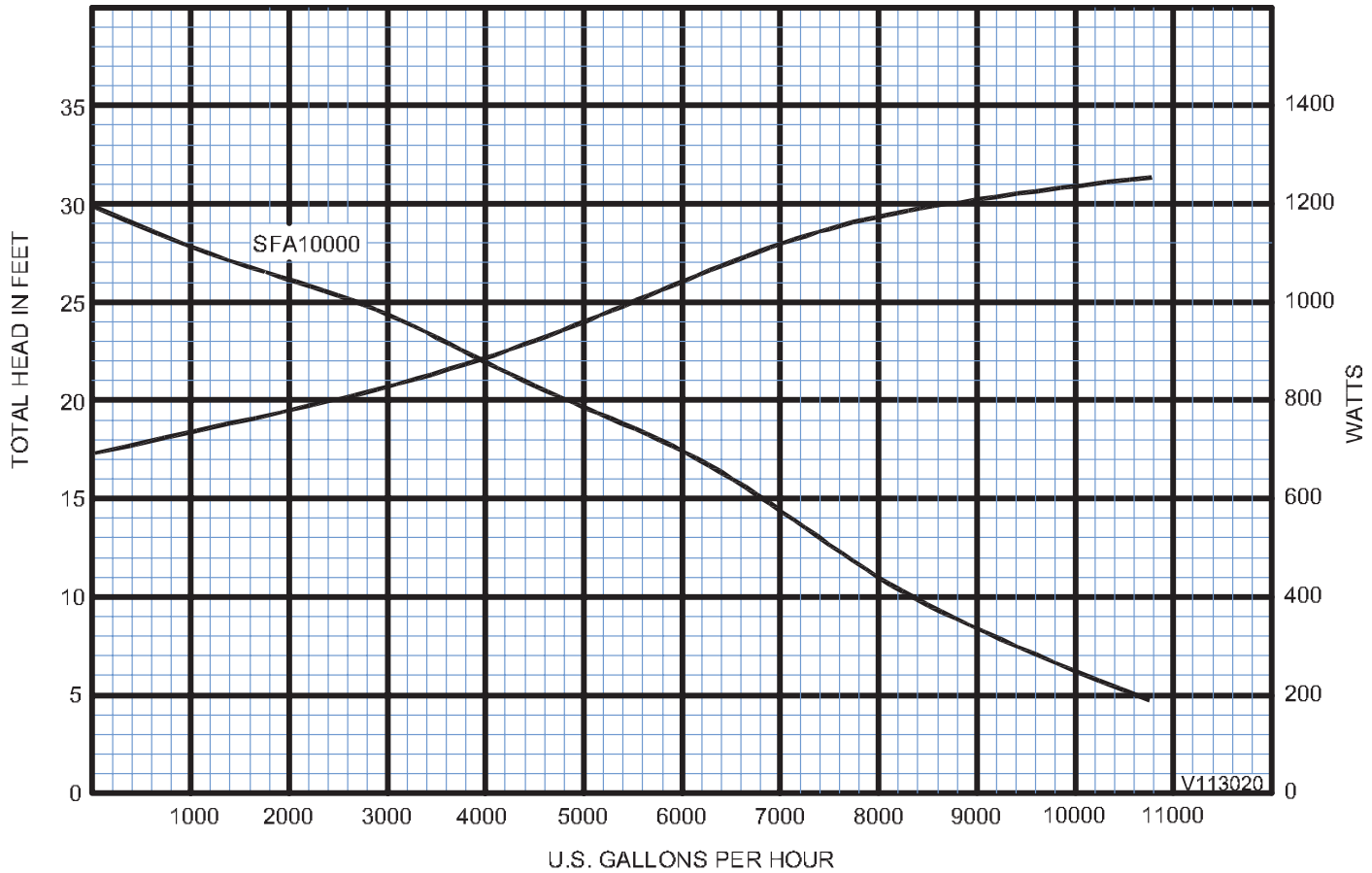
DESCRIPTION:

THESE PUMPS ARE SPECIFICALLY DESIGNED FOR USE IN DRAMATIC, DECORATIVE WATER DISPLAYS.



inches
(mm)

ADI Water Garden Pumps



MODEL NO	PART NO	HANDLE COLOR	HP	MAX. AMPS	WATTS @ 5Ft.	VOLT/PH	Hz	RPM (Nom)	CORD SIZE	CORD TYPE
SFA10000	113020	Orange	1	11	1240	115/1	60	3450	14/3	SJTOW

Testing is performed with water specific gravity of 1.0 @ 68°F (20°C), other fluids may vary performance

IMPORTANT !

- 1.) THESE PUMPS ARE UL LISTED FOR PUMPING WATER. **DO NOT USE TO PUMP FLAMMABLE LIQUIDS.**
- 2.) SPECIAL SUCTION CHAMBER KEEPS MOTOR 2/3 SUBMERGED AT ALL TIMES FOR COOL OPERATION.
- 3.) MODIFICATIONS MAY AFFECT "UL" LISTING.
- 4.) INSTALLATIONS SUCH AS DECORATIVE FOUNTAINS OR WATER FEATURES PROVIDED FOR VISUAL ENJOYMENT MUST BE INSTALLED IN ACCORDANCE WITH THE NATIONAL ELECTRIC CODE ANSI/NFPA 70 AND/OR THE AUTHORITY HAVING JURISDICTION. THIS PUMP IS NOT INTENDED FOR USE IN SWIMMING POOLS, RECREATIONAL WATER PARKS, OR INSTALLATIONS IN WHICH HUMAN CONTACT WITH PUMPED MEDIA IS A COMMON OCCURRENCE.