

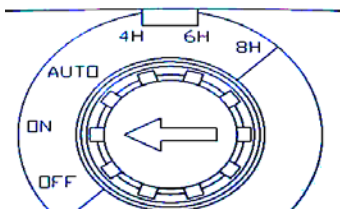
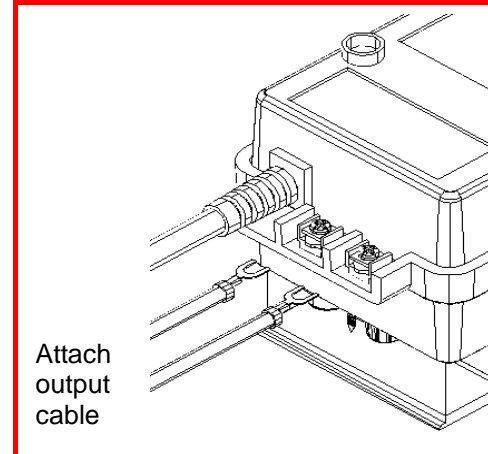
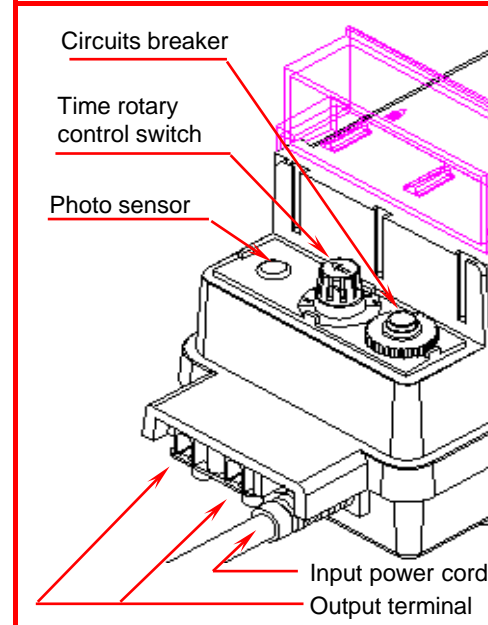


Outdoor Low Voltage Transformer Products Instruction For Use(Lighting Systems).

Model No: PL102T Insulation Class B (130°C) UL/CUL Approval

The photo timer sensor (PTS) can be installed for 60W 12Vac transformer for garden light use. Our product is engineered to meet the highest standards of functionality and design, its simple structure enables user to operate easily. It is a functional and intelligent photo timer sensor.

1. Input power cord plugged in power "120Vac 60Hz", Attach output power cable to bottom to transformer output terminal. (See fig3)
2. Ray of light control.
The bulb will light automatically when the surrounding luminance turns dark.
3. After sense the surrounding luminance, PTS will response automatically after 30 seconds to avoid any error response due to ambiguous light.
4. Timer Control.
When bulb is light, the timer will start to count time. Timer can be set up from Auto,4,6,8 hrs. When the inner timer run out the setting hours, the bulb will turn off automatically. During the timer working, if PTS sense the intensive luminance over 30 seconds, the bulb will turn off automatically. Press "ON" directly to turn on and "OFF" to turn off the light. (See fig4)
5. Restore automatically in 24 Hrs.
The second day after the setting has completed, when PTS sense the luminance get dark, it will repeat the function same as previous setting.
6. Short-circuit protection.
When output of PTS occurs short-cut, the inner circuits breaker will bascule automatically, to avoid burning the electronically parts and cause fire. Press circuits breaker will regain.
7. Cold resistance and heat resistance.
This product can be used at ambient temperature between -10°C~40°C.



OFF	Output No Power.
ON	Output Power "On".
AUTO	Photo cell Control "On".
4H, 6H, 8H	Photo cell Control "On", When Time Full, Will "Off" Output Power.



Fig4 (Time rotary control switch)



Fig1

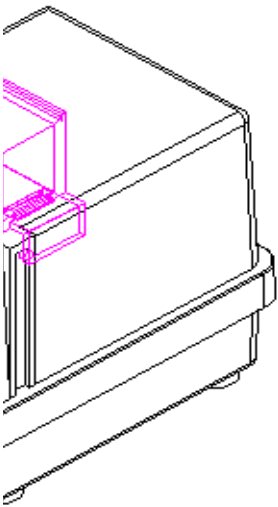


Fig2

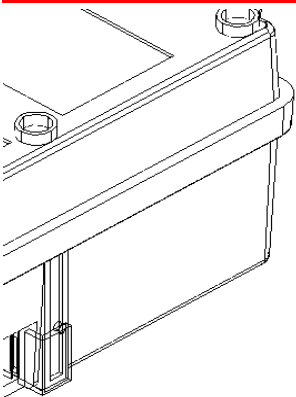


Fig3