

## Outdoor Living Water Features & Pond Products

# Direct Drive Pumps

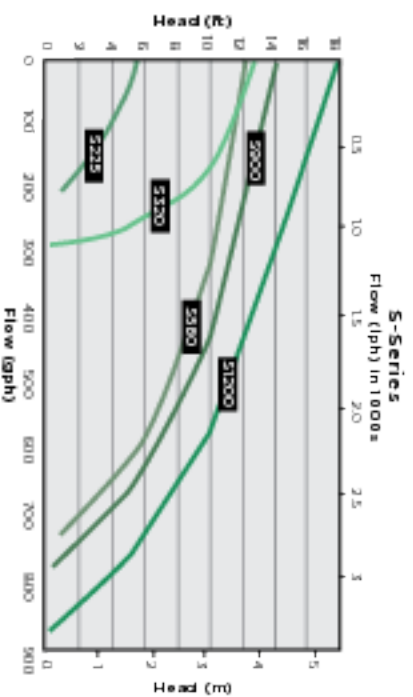
### Stainless Steel and Bronze Pumps

Our premium stainless steel and bronze pumps come in five models and are a favorite in the industry. These trouble-free pumps can be used in fresh, salt, chlorinated or brominated water and can even be used in hot water up to 110 °F. These versatile pumps can be used submerged or in open air below water level for ponds, water gardens, medium to large fountains, water displays, waterfalls, streams and for aeration.

- Made in the U.S.A.
- Quiet operation
- Mounting stand option



S-SERIES	Item Number	Amps	Watts	Cord (ft)	Submerged Use	Inline Use	Discharge MNPT	Intake MNPT	Gallons Per Hour (GPH) at height				Shut Off (ft)
									1'	5'	10'	15'	
<b>S225T-6</b>	517000	0.7	60	6'	✓	✓	1/4"	1/2"	200	81	-	-	5.7
<b>S225T-20</b>	517001	0.7	60	20'	✓	✓	1/4"	1/2"	200	81	-	-	5.7
<b>S320T-6</b>	517002	1.5	88	6'	✓	✓	1/4"	1/2"	280	255	183	-	13.5
<b>S320T-20</b>	517003	1.5	88	20'	✓	✓	1/4"	1/2"	280	255	183	-	13.5
<b>S320T-50</b>	517004	1.5	88	50'	✓	✓	1/4"	1/2"	280	255	183	-	13.5
<b>S580T-6</b>	517005	2.2	203	6'	✓	✓	1/2"	1/2"	755	590	320	-	12
<b>S580T-20</b>	517006	2.2	203	20'	✓	✓	1/2"	1/2"	755	590	320	-	12
<b>S580T-50</b>	517007	2.2	203	50'	✓	✓	1/2"	1/2"	755	590	320	-	12
<b>S900T-6</b>	517008	2.5	234	6'	✓	✓	1/2"	3/4"	810	807	425	-	14
<b>S900T-20</b>	517009	2.5	234	20'	✓	✓	1/2"	3/4"	810	807	425	-	14
<b>S900T-50</b>	517010	2.5	234	50'	✓	✓	1/2"	3/4"	810	807	425	-	14
<b>S1200T-6</b>	517011	3.4	255	6'	✓	✓	1/2"	3/4"	888	745	580	240	18
<b>S1200T-20</b>	517012	3.4	255	20'	✓	✓	1/2"	3/4"	888	745	580	240	18
<b>S1200T-50</b>	517013	3.4	255	50'	✓	✓	1/2"	3/4"	888	745	580	240	18



# Little GIANT.

Outdoor Living

HOTLINE 888.956.0000

lg-outdoor.com

≤ 400 Gal

≤ 800 Gal

≤ 1200 Gal

≤ 2400 Gal

> 2500 Gal

Professional

Decor

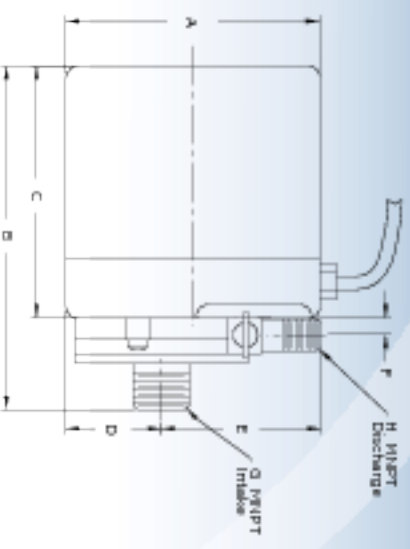
Maintenance

Outdoor Living Water Features & Pond Products

## Direct Drive Pumps

Stainless Steel and Bronze Pumps

DIMENSIONS (INCHES)	A	B	C	D	E	F	G MNPT	H MNPT
S225T	4.0	4.5	3.0	1.5	2	3	½"	¾"
S320T	4.0	4.5	3.0	1.4	2.38	3	½"	¾"
S580T	4.5	8.5	4.7	2.25	2.75	5	¾"	¾"
S900T	4.5	8.5	4.7	2.25	2.75	5	¾"	¾"
S1200T	4.5	8.5	4.7	2.25	2.75	5	¾"	¾"



### STAINLESS STEEL & BRONZE PUMP ACCESSORIES

	Item Number	Amount
SPBI - POSITIONING BRACKET FITS S580, S900, S1200	517500	1 per pack
CFS100 - PREFILTER	517505	1 each



# Little GIANT<sub>®</sub>

Outdoor Living

HOTLINE 888.956.0000

lg-outdoor.com

\$ 400 GdI

\$ 800 GdI

\$ 1200 GdI

\$ 2400 GdI

> 2500 GdI

Professional

Decor

Maintenance