

### Features

- This high performance, medium head pump comes complete with an industry standard  $\frac{5}{8}$ " mechanical seal for convenient replacement.
- Pump parts are made of 100% recyclable plastic. Non-corrosive, chemical/UV resistant, and can withstand temperatures of up to 150° F.
- Suction and discharge ports are equipped with 1½" fpt unions.
- Specially constructed clear lid with ring lock design is easy to open. Large strainer basket is always locked in place.
- Pump is equipped with durable, special 48 frame thru-bolt mount energy efficient PSC motor with stainless steel shaft.
- Pump has a standard 6 ft. cord set pre-mounted.
- GV Series self-priming pumps come complete with one year warranty.
- Every pump is performance tested before leaving the factory.



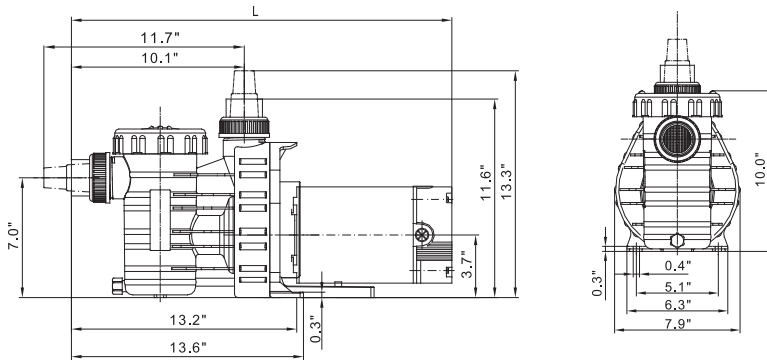
GV100S



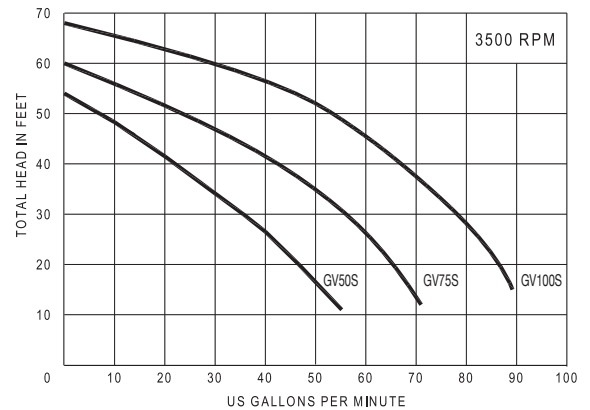
### Applications

- Water gardens
- Koi ponds
- Water features & fountains
- Pools

### Dimensional Drawings

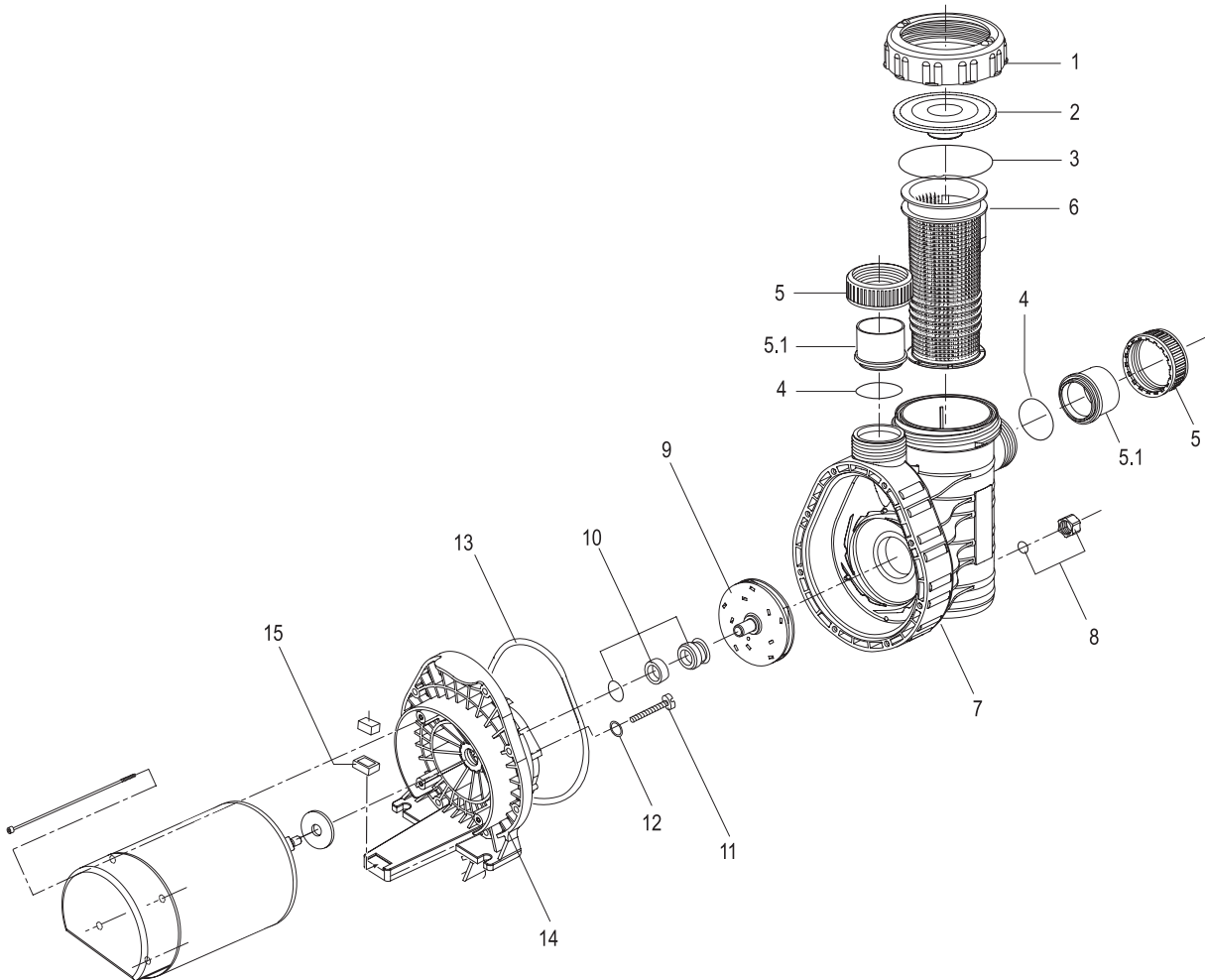


### Performance Curves



### Specifications

PART #	HP	AMPS	VOLTS	LENGTH (DIMENSION L)	MAXIMUM HEAD	SHIP WEIGHT
GV50S	1/2	6.5	115	21"	55'	20 lbs.
GV75S	3/4	8.8	115	22½"	60'	21 lbs.
GV100S	1	10	115	22½"	68'	23 lbs.



DRAWING NUMBER	QTY. REQUIRED	DESCRIPTION
1	1	Lock Ring Lid
2	1	Lid - Clear
3	1	O-Ring - Lid
4, 5 & 5.1	1	Complete Union Package - Suction/Discharge - fpt
6	1	Basket - One Piece
7	1	Casing
8	1	Drain Cap $\frac{3}{8}$ " with Gasket - Casing
9.1	1	Impeller 0.5 THP (0.75 HP SPL) 100/4.5mm
9.2	1	Impeller 0.75 THP (1.0 HP SPL) 100/6.5mm
9.3	1	Impeller 1.0 THP (1.5 HP SPL) 100/9mm
10	1	Mechanical Seal $\frac{5}{8}$ " - Carbon/Ceramic
11 & 12	8	Screw - Casing. Hex/Washer/Slot M7 x 48.4mm
13	1	O-Ring Casing 165 x 6mm
14	1	Flange/Seal Housing
15	1	Foot