

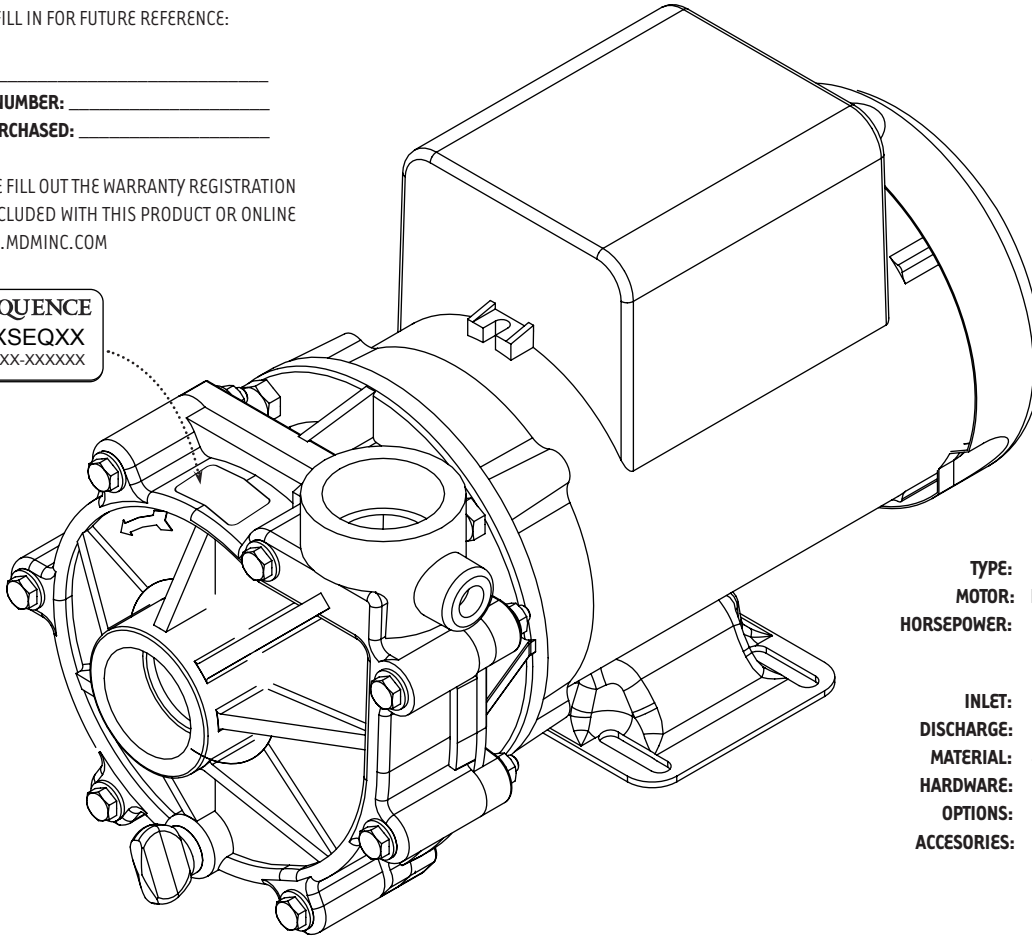
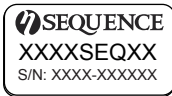
# SEQUENCE<sup>®</sup> 1000

## INSTALLATION AND SERVICE MANUAL

PLEASE FILL IN FOR FUTURE REFERENCE:

MODEL: \_\_\_\_\_  
 SERIAL NUMBER: \_\_\_\_\_  
 DATE PURCHASED: \_\_\_\_\_

\* PLEASE FILL OUT THE WARRANTY REGISTRATION CARD INCLUDED WITH THIS PRODUCT OR ONLINE AT: WWW.MDMINC.COM



- TYPE:** STRAIGHT CENTRIFUGAL
- MOTOR:** NEMA C FACE, 56J
- HORSEPOWER:** 1/8, 1/6, 1/4, 1/3 (1750 RPM), 1.5, 2 (3450 RPM)
- INLET:** 1-1/2" FNPT
- DISCHARGE:** 1-1/2" FNPT
- MATERIAL:** 40% GLASS-FILLED POLYPROPYLENE
- HARDWARE:** STAINLESS STEEL
- OPTIONS:** SALTWATER SERVICE
- ACCESSORIES:** 90 CUBIC INCH STRAINER BASKETS (1.5" & 2"), SWING CHECK VALVES (1.5", 2", 3")  
500 CUBIC INCH STRAINER BASKETS (1 1/2", 2", 3")

| Model              | 3300SEQ21          | 4500SEQ21          | 5100SEQ22          | 6100SEQ23          | 8500PWR55   | 9200PWR69   | 11000PWR72  |
|--------------------|--------------------|--------------------|--------------------|--------------------|-------------|-------------|-------------|
| INLET              | 1.5"               | 1.5"               | 1.5"               | 1.5"               | 1.5"        | 1.5"        | 1.5"        |
| DISCHARGE          | 1.5"               | 1.5"               | 1.5"               | 1.5"               | 1.5"        | 1.5"        | 1.5"        |
| MAX FLOW (gph)     | 3300               | 4500               | 5100               | 6100               | 8500        | 9200        | 11000       |
| MAX HEAD (feet)    | 21'                | 21'                | 22'                | 23'                | 55'         | 69'         | 72'         |
| MAX POWER (watts)  | 206                | 250                | 293                | 366                | 1385        | 1744        | 2056        |
| MAX CURRENT (amps) | 2.36 @ 115V        | 2.69 @ 115V        | 3.03 @ 115V        | 3.59 @ 115V        | 5.38 @ 230V | 6.82 @ 230V | 8.58 @ 230V |
| VOLTS              | 115/230            | 115/230            | 115/230            | 115/230            | 230 /115V   | 230 /115V   | 230 /115V   |
| MOTOR HP           | 1/3, 1/4, 1/6, 1/8 | 1/3, 1/4, 1/6, 1/8 | 1/3, 1/4, 1/6, 1/8 | 1/3, 1/4, 1/6, 1/8 | 1.5         | 1.5         | 2           |
| MOTOR TYPE         | 56J                | 56J                | 56J                | 56J                | 56J         | 56J         | 56J         |
| MOTOR ENCLOSURE    | TEFC               | TEFC               | TEFC               | TEFC               | TEFC        | TEFC        | TEFC        |
| IMPELLER           | 4                  | 5                  | 6                  | 7                  | 6T-3.85"    | 6T-4.25"    | 7T-4.21"    |

**WARNING:** Please read completely before you install or operate your new pump! This is an external "out-of-pond" pump! It is NOT submersible! Do NOT allow this pump to become submerged! Never run dry! Max. case pressure. - 65 PSI!



Proudly Made in the USA

*Sustainable, Efficient.*

© 2014 MDM INC.

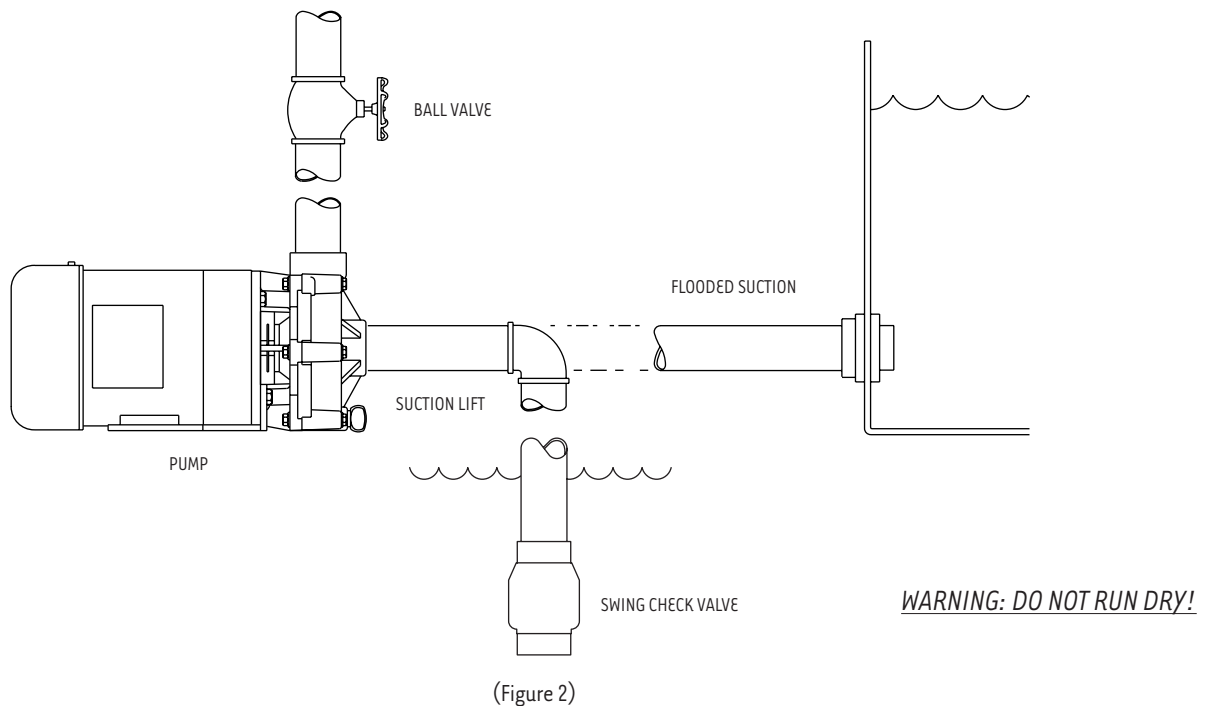
# SEQUENCE® 1000

We congratulate you on your choice of the Sequence® 1000 Centrifugal Pump! It has been carefully designed using the advantages of today's technology and carefully constructed to give you the dependability of yesterday. To insure proper performance, we urge you to carefully follow the instructions in this manual. If you have any questions, call your nearest distributor or M.D.M. for assistance.

## INSTALLATION

**Please read carefully! When properly installed the Sequence® 1000 will provide dependable trouble-free service.**

1. Locate the pump as near the water source as possible. A flooded suction situation is preferred. The pump is not self-priming, therefore, if the fluid level is below the pump, a swing check valve must be installed and the pump primed prior to start-up. (Figure 2)
2. Mount motor base to a secure, immobile foundation.
3. Use only plastic fittings on both the intake and discharge ports. Seal pipe connections with Teflon™ paste. These fittings should be self-supported and in neutral alignment with each port. (i.e. Fittings must not be forced into alignment which may cause premature line failure or damage to the pump volute.) For non-flooded installations, a strainer basket and check valve are recommended.
4. Never restrict the intake. Keep both input and discharge lines as free of elbows and valves as possible. Always use pipe of adequate diameter. This will reduce friction losses and maximize output.
5. The Sequence® 1000 is not self-priming! It must not be run dry! We recommend a flooded suction installation. Please read carefully! When properly installed, the Sequence® 1000 will provide dependable, trouble-free service.
6. For additional plumbing tips, review MDM's website: [www.mdminc.com](http://www.mdminc.com) for pond plumbing and pump installation hints.



**WARNING: ALWAYS SHUT OFF ELECTRICAL POWER BEFORE INSTALLATION AND / OR SERVICING THIS PUMP! ALL ELECTRICAL WIRING SHOULD MEET STATE AND LOCAL ORDINANCES. IMPROPER WIRING MAY NOT ONLY BE A SAFETY HAZARD BUT MAY PERMANENTLY DAMAGE THE MOTOR AND/OR PUMP! 230V 50 HZ MOTORS AVAILABLE - CONTACT YOUR SUPPLIER FOR INFORMATION.**

## ELECTRICAL HOOK-UP

1. Check that supply voltages match the motor's requirements.
2. Check motor wiring and connect, according to instructions on motor, to match supply voltage.
3. Power cord should be protected by conduit or by cable and be of proper gauge. It should be no longer than necessary.
4. Power should be drawn directly from a box with circuit breaker protection or with a fused disconnect switch.



Proudly Made in the USA

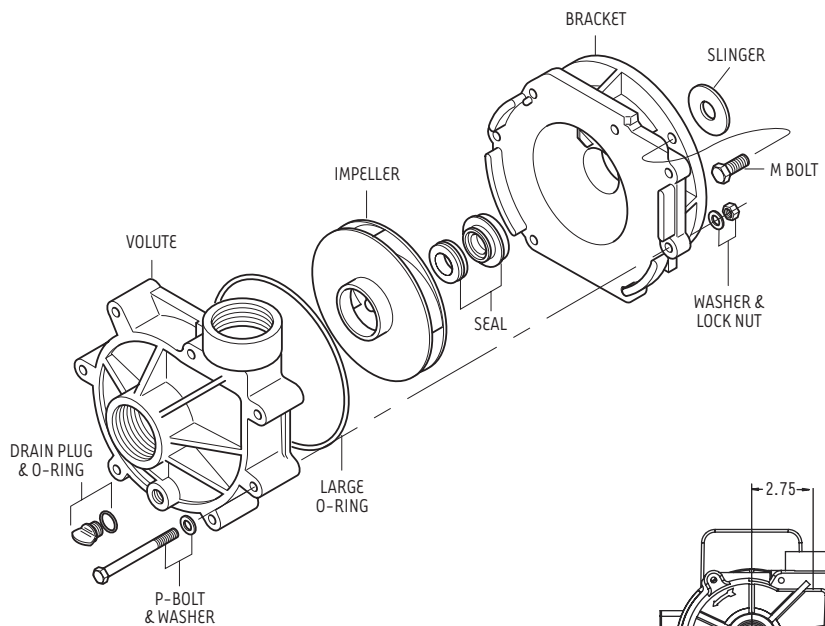
*Sustainable, Efficient.*

© 2014 MDM INC.

# SEQUENCE® 1000

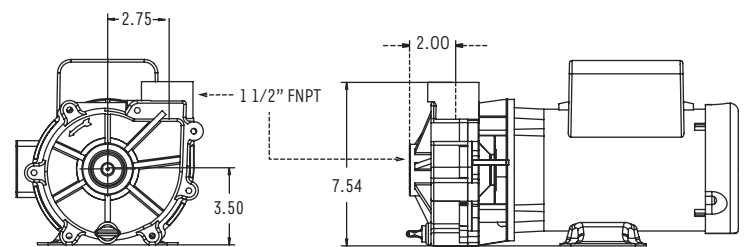
## PUMP END ASSEMBLY

1. Clean and inspect all pump parts (O-ring, seal seats, motor shaft, etc.).
2. Apply sealant to the bracket bore ID wall and around the seal case - follow sealant mfg. instructions. We recommend using Gasegacinch®. Silicone sealant can also be used.
3. Press carbon graphite seal into bracket while taking care not to damage carbon graphite face.
4. Place slinger (rubber washer) over motor shaft and mount bracket to motor.
5. Carefully, lubricate the seal seat elastomer OD and impeller hub ID with water. Press the seal seat into the impeller hub making certain that the ceramic is in evenly - the sealing surface should be parallel with the impeller hub.
6. Carefully lubricate carbon-graphite and ceramic sealing surfaces with CLEAN water. Do not use silicon lubricants or grease!
7. Assemble Bracket to motor with four M-bolts
8. Thread impeller onto shaft and tighten! If required, remove motor end-cap and use a screwdriver on the back of motor shaft to prevent shaft rotation while tightening. Replace motor end cap.
9. Seat large O-ring in volute slot and assemble volute to bracket with seven 1/4-20 x 2 3/4" hex cap screws, washers and nuts. Tighten in a cross pattern (30 in-lbf).
10. Install drain plug with its O-ring in volute drain hole.
11. Before operating pump, allow a proper cure time for the sealant used in step 2.



| DESCRIPTION             | SEQUENCE® P/N |
|-------------------------|---------------|
| DRAIN PLUG              | 1000.110      |
| O-RING, DRAIN PLUG      | E014B70       |
| VOLUTE                  | 1000.070P     |
| LARGE O-RING            | 1000.061      |
| IMPELLER                | 1000.05_*     |
| SEAL - BRASS            | 1000.0415     |
| SEAL - SS316            | 1000.0414     |
| SEAL - FOR POWER SERIES | 1000.0411     |
| BRACKET                 | 1000.030P     |
| SLINGER                 | 1000.010V     |
| HARDWARE KIT            | 1000.502      |

Note: These part numbers are only for standard models within the Sequence® 1000 and Power 1000 series. \*1000.05\_\_ Reference page one for Impeller numbers.



Motor illustration is for reference only.

## DISASSEMBLY

1. Shut off power to motor before disconnecting any electrical wiring from the back of the motor.
2. Disassemble volute from bracket by removing the seven 1/4" - 20 threads per inch x 2 3/4" hex cap screws.
3. Remove cap covering shaft at back of motor and with a large screwdriver, prevent shaft rotation while unscrewing impeller.
4. Remove ceramic piece from impeller. (If you are replacing the seal)
5. Detach bracket from motor.
6. Remove carbon-graphite seal from bracket by pressing out from the back. Do not dig out from the front! (If you are replacing the seal)



Proudly Made in the USA

*Sustainable, Efficient.*

© 2014 MDM INC.

# SEQUENCE® 1000

## MAINTENANCE

### Lubrication

Motor – Permanently Lubricated ball bearings – no service required.  
 Rotary Seal – Requires no lubrication after assembly.

## WARNING: EYE PROTECTION IS STRONGLY RECOMMENDED

*\*The pump must be drained before servicing or if stored below freezing temperatures. Periodic replacement of seals may be required due to normal carbon wear.*

| Symptom  | Problem  | Resolution   |
|--|--|--|
| No Flow  | Insufficient Prime   | Prime system with water and purge all air from suction piping.   |
|  |  | Install check valve.   |
|  | Insufficient Power   | Verify power supply and connection from panel to pump.   |
|  |  | Verify proper voltage. Some models are dual voltage (115/230).   |
|  | Flow Restriction   | Ensure valves are open.  |
|  |  | Ensure plumbing is clear, including suction strainers, check valves, etc.                              |
|  |  | Verify check valve orientation and direction of permitted flow.  |
| Air leak   | Clean out leaves or other debris from basket strainer (if applicable).                                 |  |
| Air leak   | Fix air leaks at fittings, connections, strainer basket etc. This typically occurs on the intake side. |  |
| System Incompatibility   | Verify hydraulic compatibility: i.e. pump & pipe are sized for the system.                             |  |
| Low Flow   | Air leak   | Fix air leaks at fittings, connections, strainer basket etc. This typically occurs on the intake side. |
|  | System Incompatibility   | Verify hydraulic compatibility: i.e. pump & pipe are sized for the system.                             |
|  | Insufficient Power   | Verify power supply and connection from panel to pump.   |
|  |  | Verify proper voltage. Some models are dual voltage (115/230).   |
|  | Flow Restriction   | Ensure valves are open.  |
|  |  | Ensure plumbing is clear, including suction strainers, check valves, etc.                              |
|  |  | Clean out leaves or other debris from basket strainer (if applicable).                                 |
|  | Insufficient Prime   | Prime system with water and purge all air from suction piping.   |
|  | Cavitation   | Verify airtight plumbing on the suction plumbing especially fittings!                                  |
|  |  | Clean out leaves or other debris from basket strainer (if applicable).                                 |
| Increase pipe size where possible.   |  |  |
| Decrease suction pipe length, reduce the number of elbows, etc.              |  |  |
| Verify hydraulic compatibility: i.e. pump and pipe are sized for the system. |  |  |
| Sporadic Operation   | Insufficient Power   | Verify power supply and connection from panel to pump.   |
|  |  | Verify proper voltage. Some models are dual voltage (115/230).   |
|  | Poor Ventilation   | Ensure adequate airflow over motor to prevent overheating.   |
| Excessive Noise  | Cavitation   | Verify airtight plumbing on the suction plumbing especially fittings!                                  |
|  |  | Clean out leaves or other debris from basket strainer (if applicable).                                 |
|  |  | Increase pipe size where possible.   |
|  |  | Decrease suction pipe length, reduce the number of elbows, etc.  |
|  | Verify hydraulic compatibility: i.e. pump and pipe are sized for the system.                           |  |
|  | Insufficient Power   | Verify power supply and connection from panel to pump.   |
|  |  | Verify proper voltage. Some models are dual voltage (115/230).   |
|  | Flow Restriction   | Ensure valves are open.  |
|  |  | Ensure plumbing is clear, including suction strainers, check valves, etc.                              |
| Verify check valve orientation and direction of permitted flow.              |  |  |



**MDM INCORPORATED**  
 3345 N. Cascade Ave • Colorado Springs, CO • 80907  
 Toll Free Phone (800) 447-8342 • Fax (866) 425-1346  
 www.mdminc.com • info@mdminc.com

Gasgacinch® is a registered trademark of Porter Manufacturing. Noryl® is a registered trademark of the General Electric Company. Teflon® is a registered trademark of DuPont Company. Sequence® is a registered trademark of MDM Incorporated. Sequence® 1000 Installation Manual.indd Adobe Indesign CC 06-06-14



Proudly Made in the USA

## Sustainable, Efficient.

© 2014 MDM INC.